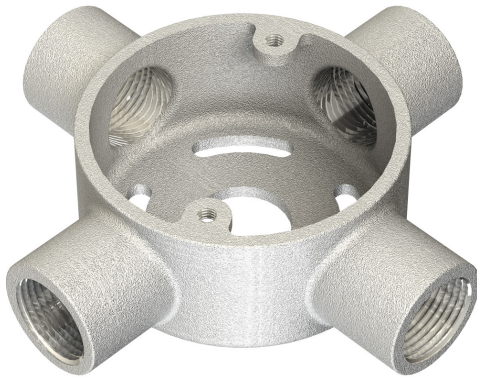


PRODUCT CODE: ET5G
MALLEABLE CONDUIT BOX



DESCRIPTION

20mm Malleable Tee Intersection Conduit Box

FINISH

Hot Dipped Galvanised

MATERIAL

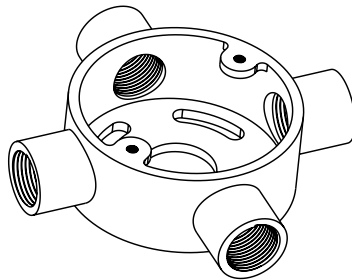
Malleable Iron

PACKAGING

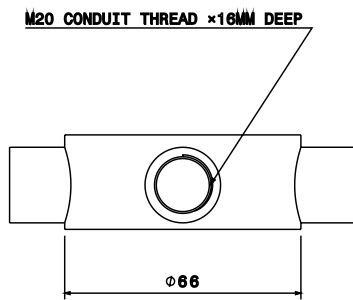
Packed in qty 10

ADDITIONAL NOTES

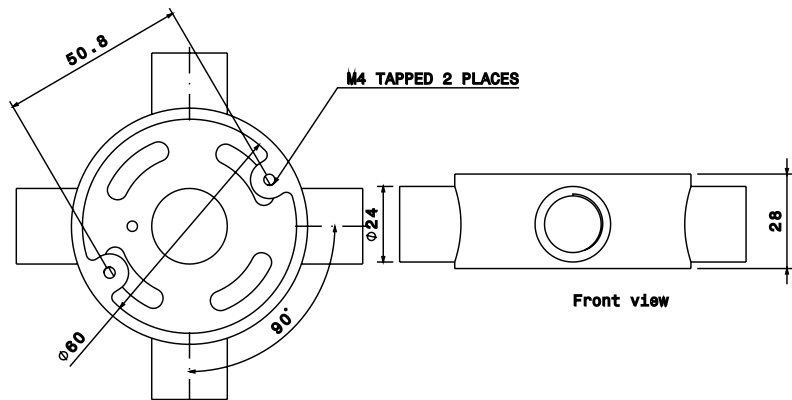
Conforms to BS EN61386-1:2008
Compliant to LU Standard 1-085 (for use on surface & sub-surface locations)



Isometric view



Side view



Front view

Top view